

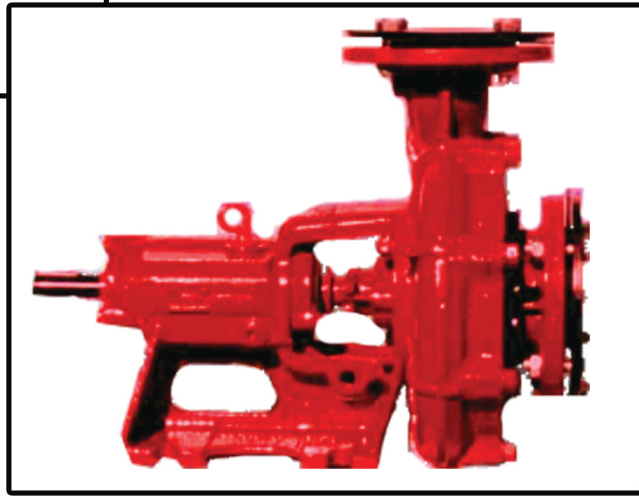
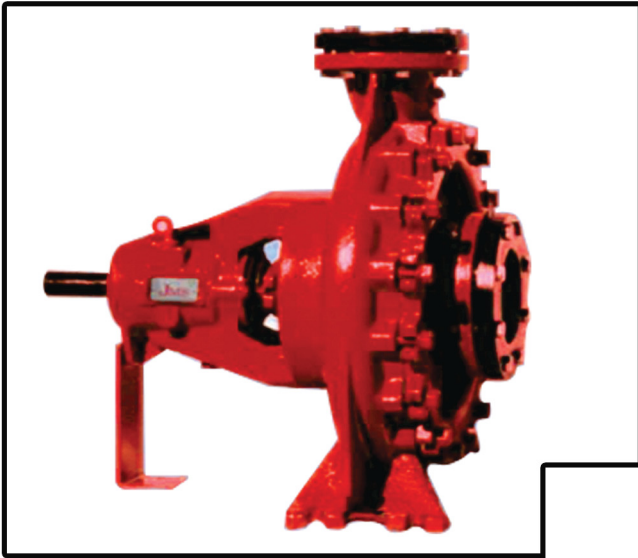


 **POMPE CENTRIFUGHE MONOGIRANTI AD ASSE NUDO**

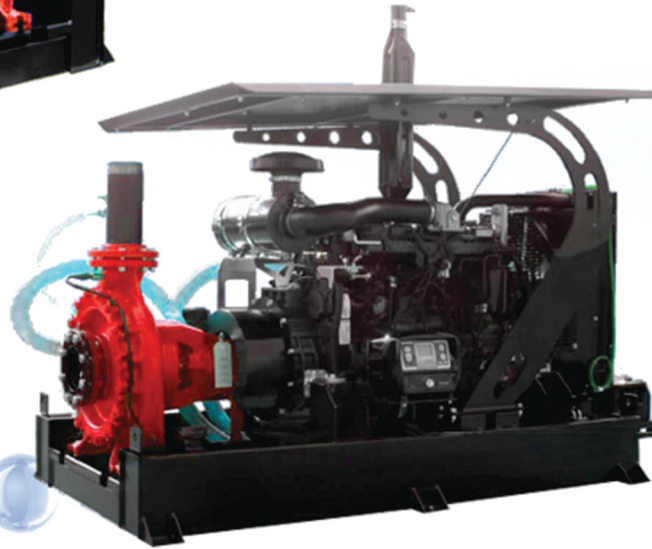
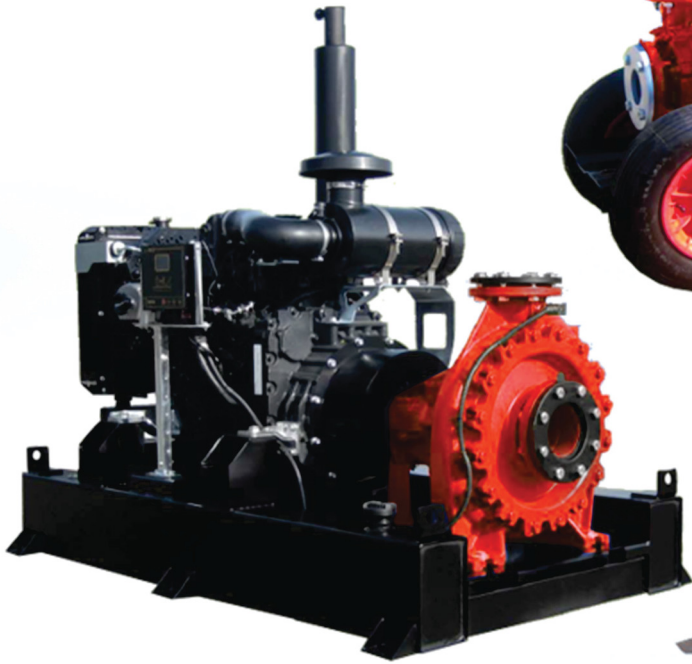
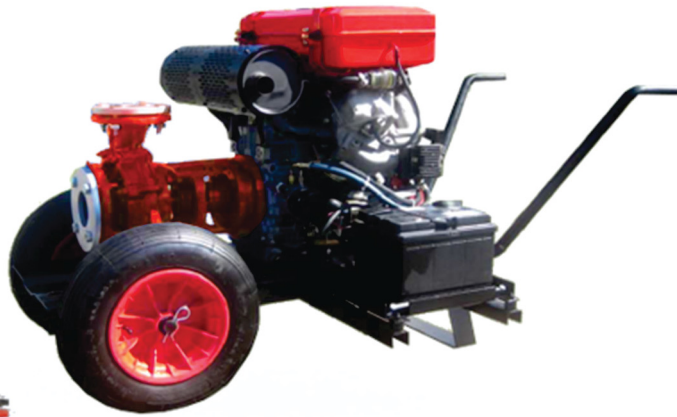
 *Single stage bare shaft centrifugal pumps*

 *Pompes centrifuge arbre-nu monoturbine*

 *Bombas centrifugas - un rodete - eje libre*



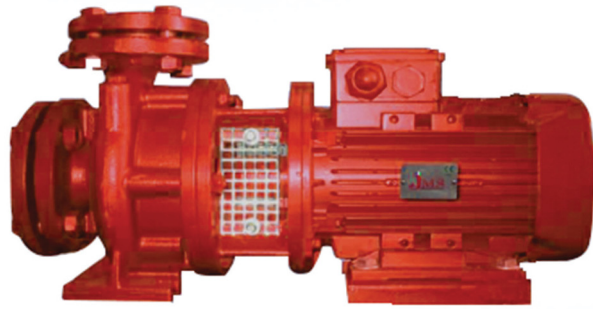
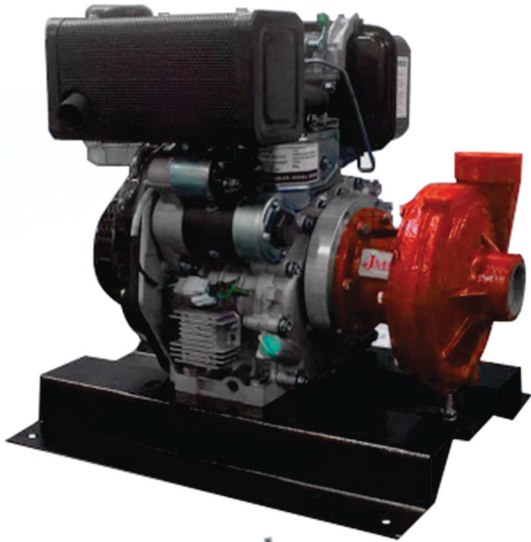
CS-M
SERIE
SERIES



www.spico.ir

E-mail: info@spicoir.com

www.spico.ir
[Email:info@spicoir.com](mailto:info@spicoir.com)

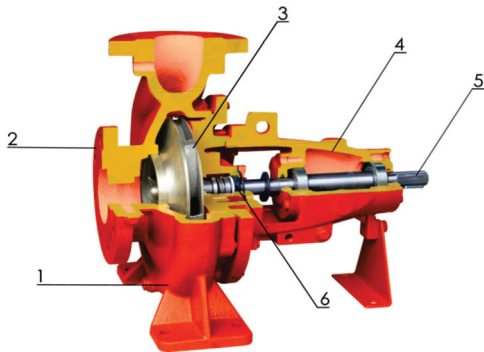




Pompe centrifughe monogiranti ad asse nudo
 Single stage bare shaft centrifugal pumps
 Pompes centrifuges arbre-nu monoturbine
 Bombas centrifugas - un rodete - eje libre

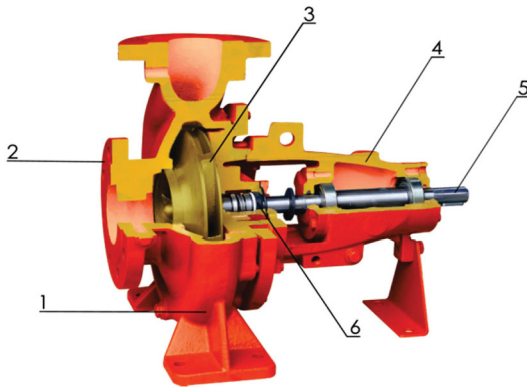
Le pompe centrifughe JCS-M vengono costruite in tre diverse versioni.
 Centrifugal series JCS-M available in three different versions.
 Pompes centrifuge JCS-M construits en trois versions différentes.
 Bombas centrifugas JCS-M construyen en tres versiones diferente.

Serie **JCS-M** per liquidi non corrosivi
 Series **JCS-M** for not corrosive liquids
 pour liquides ras corrosifs
 para líquidos no corrosivos



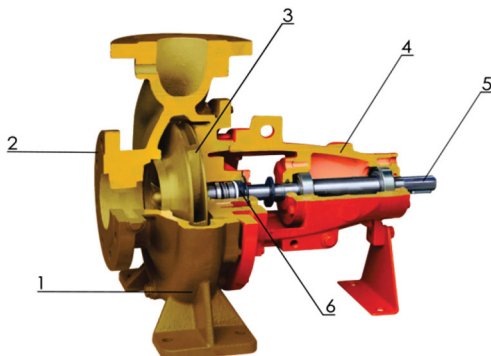
- 1 **CORPO POMPA - PUMP CASING**
Ghisa grigia a grana fine - Grey fine grained cast iron
- 2 **COPERCHIO ASPIRAZIONE - SUCTION COVER**
Ghisa grigia a grana fine - Grey fine grained cast iron
- 3 **GIRANTE - IMPELLER**
Ghisa grigia a grana fine - Grey fine grained cast iron
- 4 **SUPPORTO - SUPPORT**
Ghisa grigia a grana fine - Grey fine grained cast iron
- 5 **ALBERO - SHAFT**
Acciaio 38NCD4 - Steel 38NCD4
- 6 **TENUTA MECCANICA - MECHANICAL SEAL**

Serie **JCS-M/BRX** per liquidi leggermente corrosivi
 Series **JCS-M/BRX** for lightly corrosive liquids



- 1 **CORPO POMPA - PUMP CASING**
Ghisa grigia a grana fine - Grey fine grained cast iron
- 2 **COPERCHIO ASPIRAZIONE - SUCTION COVER**
Ghisa grigia a grana fine - Grey fine grained cast iron
- 3 **GIRANTE - IMPELLER**
Bronzo - Bronze
- 4 **SUPPORTO - SUPPORT**
Ghisa grigia a grana fine - Grey fine grained cast iron
- 5 **ALBERO - SHAFT**
Acciaio inox Aisi 304 - Stainless Steel Aisi 304
- 6 **TENUTA MECCANICA Viton - MECHANICAL SEAL Viton**

Serie **JCS-M/TBX** per liquidi non corrosivi
 Series **JCS-M/TBX** for not corrosive liquids



- 1 **CORPO POMPA - PUMP CASING**
Bronzo - Bronze
- 2 **COPERCHIO ASPIRAZIONE - SUCTION COVER**
Bronzo - Bronze
- 3 **GIRANTE - IMPELLER**
Bronzo - Bronze - Fonte - Bronze
- 4 **SUPPORTO - SUPPORT**
Ghisa grigia a grana fine - Grey fine grained cast iron
- 5 **ALBERO - SHAFT**
Acciaio inox Aisi 304 - Stainless Steel Aisi 304
- 6 **TENUTA MECCANICA Viton - MECHANICAL SEAL Viton**



Pompe centrifughe monogiranti ad asse nudo
 Single stage bare shaft centrifugal pumps
 Pompes centrifuges arbre-nu monoturbine
 Bombas centrifugas - un rodete - eje libre

Serie **CS-M**
 Series

Tipo Type	CS-M50A2S	Tipo Type	CS-M50A2BRX	Tipo Type	CS-M50A2TBX
-----------	------------------	-----------	--------------------	-----------	--------------------

Girante - Impeller: \varnothing 210 mm
 Apertura - Opening: 6 mm

Bocche pompa Ports pump	Giri pompa/1'	m3/h	9	12	15	18	21	24	27	30	33	36	42	48	54							
																				DNa	DNm	RPM
65 mm	50 mm	1450	H mt.	12.1	11.9	11.7	11.5	10.5	9.5	8.3	7	5.5	4									
			H feet	40	40	39	38	35	32	28	23	18	13									
			Hp ass.	1.2	1.2	1.4	1.5	1.6	1.7	1.8	1.9	2	2.1									
		1750	H mt.		17.7	17.2	17	16.2	15.5	14.2	13	11.7	10.5	7								
			H feet		59	57	57	54	52	47	43	39	35	23								
			Hp ass.		2.2	2.4	2.5	2.6	2.7	2.8	3	3.1	3.2	3.4								
		2000	H mt.			22.4	22.1	21.1	20.2	18.5	16.9	16	13.6	9.1	3.9							
H feet				75	74	70	67	62	56	53	45	30	13									
Hp ass.				3.5	3.7	3.8	4	4.4	4.4	4.6	4.7	5	5.2									
2200	H mt.				28.2	28	27.2	26.5	25.7	25	23	22	18.7	15	10.5							
	H feet				94	93	91	88	86	83	77	73	62	50	35							
	Hp ass.				4.1	4.3	4.5	4.7	5	5.3	5.5	5.6	5.8	6.3	6.4							
2400	H mt.						32.3	31.4	30.5	29.7	27.9	26.1	22.2	17.8	12.4							
	H feet						108	105	102	99	93	87	74	59	41							
	Hp ass.						5	6	6.4	6.8	6.9	7.2	7.5	8.1	8.2							
2600	H mt.						37.9	36.9	35.8	34.8	32.7	30.6	26	20.9	14.6							
	H feet						126	123	119	116	109	102	87	70	49							
	Hp ass.						7.4	7.7	8.2	8.7	8.8	9.2	9.5	10.3	10.5							
2900	H mt.						49	48.5	47.7	47	45.7	44.5	41.5	38	32.3							
	H feet						163	162	159	157	152	148	138	127	108							
	Hp ass.						9.2	9.7	10	10.5	10.8	11.2	11.8	12.5	13							

Tipo Type	CS-M50B2S	Tipo Type	CS-M50B2BRX	Tipo Type	CS-M50B2TBX
-----------	------------------	-----------	--------------------	-----------	--------------------

Girante - Impeller: \varnothing 200 mm
 Apertura - Opening: 6 mm

Bocche pompa Ports pump	Giri pompa/1'	m3/h	9	12	15	18	21	24	27	30	33	36	42	48							
																				DNa	DNm
65 mm	50 mm	1450	H mt.	11	10.8	10.5	10.4	9.4	8.5	7.5	5.6										
			H feet	37	36	35	35	31	28	25	19										
			Hp ass.	1	1.1	1.3	1.4	1.5	1.6	1.7	1.8										
		1750	H mt.		16	15.5	15.3	14.3	13.3	12.3	11.2										
			H feet		53	52	51	48	44	41	37										
			Hp ass.		2	2.2	2.3	2.4	2.5	2.6	2.7										
		2000	H mt.			20.2	19.9	18.6	17.3	16	14.6										
H feet				67	66	62	58	53	49												
Hp ass.				3.2	3.4	3.5	3.7	3.8	4												
2200	H mt.				25.8	25.3	24.6	23.9	23.2	22.5	20.5	19	15.5								
	H feet				86	84	82	80	77	75	68	63	52								
	Hp ass.				3.7	3.8	4.1	4.3	4.5	4.7	4.8	4.9	5.2								
2400	H mt.						29.2	28.3	27.5	26.7	24.5	22.5	18.4								
	H feet						97	94	92	89	82	75	61								
	Hp ass.						5.3	5.5	5.8	6	6.2	6.3	6.7								
2600	H mt.						34.2	33.3	32.3	31.3	28.8	26.4	21.6								
	H feet						114	111	108	104	96	88	72								
	Hp ass.						6.7	7	7.4	7.7	7.8	8	8.5								
2900	H mt.						45.1	44.5	43.9	43.2	42.3	41.5	38.5	33							
	H feet						150	148	146	144	141	138	128	110							
	Hp ass.						8.4	8.7	9	9.4	9.7	10	10.6	11.2							



Pompe centrifughe monogiranti ad asse nudo
Single stage bare shaft centrifugal pumps
Pompes centrifuges arbre-nu monoturbine
Bombas centrifugas - un rodete - eje libre

Serie **CS-M**
Series

Tipo Type	CS-M65B1S	Tipo Type	CS-M65B1BRX	Tipo Type	CS-M65B1TBX
-----------	------------------	-----------	--------------------	-----------	--------------------

Girante - Impeller: \varnothing 170 mm
Apertura - Opening: 16 mm

Bocche pompa Ports pump	Giri pompa/1'	m3/h	21	27	30	36	42	48	54	60	66	72	78	84	96	102	108				
																				G/min	93
DNa	DNm	RPM	l/1'	350	450	500	600	700	800	900	1000	1100	1200	1300	1400	1600	1700	1800			
80 mm	65 mm	1450	H mt.	9	8.6	8.3	7.7	6.7	5.5	3.9											
			H feet	30	29	28	26	22	18	13											
			Hp ass.	1.2	1.4	1.5	1.6	1.7	1.8	1.9											
		1750	H mt.	13.7	13.3	12.9	12.9	11.4	10.4	9											
			H feet	46	44	43	43	38	35	30											
			Hp ass.	2	2.2	2.3	2.4	2.6	2.8	3											
		2000	H mt.	17.7	17.4	16.9	16.1	15	13.8	12.3	10.6	8.6									
H feet	59		58	56	54	50	46	41	35	29											
Hp ass.	2.9		3.1	3.3	3.6	3.9	4.1	4.4	4.6	4.9											
2200	H mt.	21.8	21.6	21.1	20.4	19.2	18.1	16.5	15	13.1											
	H feet	73	72	70	68	64	60	55	50	44											
	Hp ass.	3.8	4	4.3	4.7	5	5.4	5.7	5.9	6.2											
2400	H mt.				24.9	23.8	22.6	21.1	19.4	17.7	15.5	13.5									
	H feet				83	79	75	70	65	59	52	45									
	Hp ass.				5.9	6.7	6.7	7.1	7.4	7.8	8.2	8.4									
2600	H mt.				29	27.8	26.4	24.7	22.7	20.7	18.1	15.8									
	H feet				97	93	88	82	76	69	60	53									
	Hp ass.				7.4	8	8.4	8.9	9.3	9.8	10.3	10.6									
2900	H mt.				37.3	36.6	35.6	34.3	33	31.3	29.3	27.2	22.7	20	17						
	H feet				124	122	119	114	110	104	98	91	76	67	57						
	Hp ass.				9.5	10	10.6	11.2	11.7	12.3	12.7	13.2	13.9	14.2	14.5						

Tipo Type	CS-M65D1S	Tipo Type	CS-M65D1BRX	Tipo Type	CS-M65D1TBX
-----------	------------------	-----------	--------------------	-----------	--------------------

Girante - Impeller: \varnothing 160 mm
Apertura - Opening: 16 mm

Bocche pompa Ports pump	Giri pompa/1'	m3/h	21	27	30	36	42	48	54	60	66	72	78	84	96	102				
																			G/min	93
DNa	DNm	RPM	l/1'	350	450	500	600	700	800	900	1000	1100	1200	1300	1400	1600	1700			
80 mm	65 mm	1450	H mt.	7.4	7	6.7	5.8	4.8	3.5	1.6										
			H feet	25	23	22	19	16	12	5										
			Hp ass.	1	1.2	1.3	1.4	1.5	1.6	1.7										
		1750	H mt.	11.4	11	10.6	9.9	8.7	7.7	6.1										
			H feet	38	37	35	33	29	26	20										
			Hp ass.	1.5	1.8	1.9	2	2.2	2.3	2.4										
		2000	H mt.		15	14.7	14	13	11.6	10.2	8.6	6.8	4.4							
H feet			50	49	47	43	39	34	29	23	15									
Hp ass.			2.3	2.5	2.7	3	3.2	3.4	3.6	3.8	4									
2200	H mt.		18.3	18.1	17.6	16.7	15.3	13.9	12.1	10.4	8.3									
	H feet		61	60	59	56	51	46	40	35	28									
	Hp ass.		3.1	3.3	3.5	3.9	4.1	4.3	4.6	4.7	5									
2400	H mt.				20.5	19.2	17.8	17.3	14.4	12.3	9.9	7.7								
	H feet				68	64	59	58	48	41	33	26								
	Hp ass.				4.9	5.2	5.5	5.9	6.1	6.5	6.7	6.9								
2600	H mt.				24	22.5	20.8	20.2	16.8	14.4	11.6	9								
	H feet				80	75	69	67	56	48	39	30								
	Hp ass.				6.2	6.5	6.9	7.4	7.7	8.2	8.5	8.7								
2900	H mt.				31.3	30.4	29.3	27.7	26.2	24.3	21.8	19.6	14.4	11						
	H feet				104	101	98	92	87	81	73	65	48	37						
	Hp ass.				7.8	8.2	8.7	9.2	9.5	9.9	10.2	10.6	11	11.2						



Pompe centrifughe monogiranti ad asse nudo
Single stage bare shaft centrifugal pumps
Pompes centrifuges arbre-nu monoturbine
Bombas centrifugas - un rodete - eje libre

Serie **CS-M**
Series

Tipo Type	CS-M65E1S	Tipo Type	CS-M65E1BRX	Tipo Type	CS-M65E1TBX
-----------	------------------	-----------	--------------------	-----------	--------------------

Girante - Impeller: \varnothing 155 mm
Apertura - Opening: 16 mm

Bocche pompa Ports pump		Giri pompa/1'	m3/h	21	27	30	36	42	48	54	60	66	72	78	84	96	102				
DNa	DNm			RPM	I/1'	93	120	134	160	187	214	240	267	294	320	347	374	427	454		
		80 mm	65 mm	1450	H mt.	6.7	6.3	6	5	4	2.5	0.5									
H feet	22				21	20	17	13	8	2											
Hp ass.	0.9				1.1	1.2	1.3	1.4	1.5	1.6											
1750	H mt.			10.4	9.9	9.5	8.8	7.5	6.5	4.8											
	H feet			35	33	32	29	25	22	16											
	Hp ass.			1.4	1.6	1.7	1.8	2	2.1	2.2											
2000	H mt.				13.7	13.5	12.6	11.5	10	8.5	6.8	5	2.5								
	H feet		46	45	42	38	33	28	23	17	8										
	Hp ass.		2.1	2.3	2.5	2.7	2.9	3.1	3.3	3.5	3.6										
2200	H mt.		16.7	16.5	16	15	13.5	12	10	8.2	6										
	H feet		56	55	53	50	45	40	33	27	20										
	Hp ass.		2.8	3	3.2	3.5	3.7	3.9	4.1	4.2	4.4										
2400	H mt.					18.5	17	15.5	14	12	9.8	7.2	5								
	H feet					62	57	52	47	40	33	24	17								
	Hp ass.					4.4	4.7	4.9	5.3	5.5	5.9	6.1	6.2								
2600	H mt.					21.6	19.9	18.1	16.4	14	11.4	8.4	5.8								
	H feet					72	66	60	55	47	38	28	19								
	Hp ass.					5.5	5.9	6.2	6.7	6.9	7.4	7.7	7.8								
2900	H mt.					28.5	27.5	26.3	24.3	23	21	18.3	16	10.5	8						
	H feet					95	92	88	81	77	70	61	53	35	27						
	Hp ass.					7	7.4	7.8	8.2	8.5	8.8	9	9.4	9.7	9.8						

Tipo Type	CS-M65A2S	Tipo Type	CS-M65A2BRX	Tipo Type	CS-M65A2TBX
-----------	------------------	-----------	--------------------	-----------	--------------------

Girante - Impeller: \varnothing 260 mm
Apertura - Opening: 9 mm

Bocche pompa Ports pump		Giri pompa/1'	m3/h	21	27	30	36	42	48	54	60	66	72	78	84	90	96	102			
DNa	DNm			RPM	I/1'	93	120	134	160	187	214	240	267	294	320	347	374	401	427	454	
		80 mm	65 mm	1450	H mt.	22	21.7	21.5	21	19.5	18	16	14	12	9						
H feet	73				72	72	70	65	60	53	47	40	30								
Hp ass.	4				4.3	4.5	5	5.2	5.5	6	6.3	6.5	6.8								
1750	H mt.			32	31.7	31.5	30.5	29.5	28	27	25.5	23.5	22								
	H feet			107	106	105	102	98	93	90	85	78	73								
	Hp ass.			6.7	7.3	7.5	8	8.5	9	9.5	10	10.5	11								
2000	H mt.				41.3	41	39.7	38.4	36.5	35.2	33.2	30.6	28.6	26	20.8						
	H feet		138	137	132	128	122	117	111	102	95	87	69								
	Hp ass.		10.8	11.1	11.9	12.6	13.4	14.1	14.8	15.6	16.3	16.9	17.5								
2200	H mt.		51.3	51	50.5	49.5	48	47	45	43	41	36.5	36								
	H feet		171	170	168	165	160	157	150	143	137	122	120								
	Hp ass.		12.6	13	14	15	16	16.5	17.5	18.5	19.5	20	21								
2400	H mt.					58.8	57	55.8	53.4	51	48.7	46.3	42.7	35.6	32	28.5					
	H feet					196	190	186	178	170	162	154	142	119	107	95					
	Hp ass.					19.4	20.7	21.2	22.6	23.9	25.2	26.5	27.1	28.7	28.9	29.1					
2600	H mt.					69	66.9	65.5	62.7	59.9	57.1	54.3	50.1	41.8	41.5	33.4					
	H feet					230	223	218	209	200	190	181	167	139	138	111					
	Hp ass.					24.7	26.3	27.1	28.2	30.4	32.1	33.7	34.5	36.5	36.8	37					
2900	H mt.					88	87	86	84	83	81	79	76	70	67						
	H feet					293	290	287	280	277	270	263	253	247	233	223					
	Hp ass.					30	31.5	33.5	35	36.5	38	39.5	41.5	42.5	44.1	45.5					



Pompe centrifughe monogiranti ad asse nudo
Single stage bare shaft centrifugal pumps
Pompes centrifuges arbre-nu monoturbine
Bombas centrifugas - un rodete - eje libre

Serie **CS-M**
Series

Tipo Type	CS-M80A2S	Tipo Type	CS-M80A2BRX	Tipo Type	CS-M80A2TBX
-----------	------------------	-----------	--------------------	-----------	--------------------

Girante - Impeller: \varnothing 210 mm
Apertura - Opening: 18 mm

Bocche pompa Ports pump	Giri pompa/1'	m3/h	48	54	60	72	84	96	108	120	135	150	168	180					
DNa	DNm	RPM	G/min	214	240	267	320	374	427	481	534	601	668	748	801				
			/1'	800	900	1000	1200	1400	1600	1800	2000	2250	2500	2800	3000				
100 mm	80 mm	1450	H mt.	14	13.5	13	12	10	8	6	3								
			H feet	47	45	43	40	33	27	20	10								
			Hp ass.	4	4.3	4.6	5	5.3	5.5	5.7	6								
		1750	H mt.		20.5	20	19	17.2	15.5	13.5	11	7.5							
			H feet		68	67	63	57	52	45	37	25							
			Hp ass.		6.5	7.2	8	8.5	9	9.4	9.8	10.5							
		2000	H mt.		27.5	26.7	26	24.5	23	20.5	18	10							
H feet			92	89	87	82	77	68	60	33									
Hp ass.			9	9.8	10.7	12.5	13.2	13.9	14.4	15.6									
2200	H mt.					32	30.5	29	26.7	24.5	21	17.5	12						
	H feet					107	102	97	89	82	70	58	40						
	Hp ass.					13.5	14.5	15.5	16.2	17	18	19	20						
2400	H mt.						37.5	36	34	32	28	24	17						
	H feet						125	120	113	107	93	80	57						
	Hp ass.						18	19.5	20.5	22	23	24	24.8						
2600	H mt.						44.2	42.6	41	39	35.5	31.5	26	22					
	H feet						147	142	137	130	118	105	87	73					
	Hp ass.						22	23.5	25	26.5	28	29	30.2	31					
2900	H mt.						56	55	53	51	48.5	45	39	34					
	H feet						187	183	177	170	162	150	130	113					
	Hp ass.						29	31	33	35	36	37	41	39.5					

Tipo Type	CS-M80A4S	Tipo Type	CS-M80A4BRX	Tipo Type	CS-M80A4TBX
-----------	------------------	-----------	--------------------	-----------	--------------------

Girante - Impeller: \varnothing 270 mm
Apertura - Opening: 18 mm

Bocche pompa Ports pump	Giri pompa/1'	m3/h	42	48	60	72	90	108	120	132	144	162	168	180	198					
DNa	DNm	RPM	G/min	187	214	267	320	401	481	534	587	641	721	748	801	881				
			/1'	700	800	1000	1200	1500	1800	2000	2200	2400	2700	2800	3000	3300				
100 mm	80 mm	1450	H mt.	27	26.8	26.5	26.2	25.5	24	22	19.5									
			H feet	90	89	88	87	85	80	73	65									
			Hp ass.	7.8	8	8.3	9.2	10.2	11.3	12	12.4									
		1750	H mt.		38	37.5	37.2	37	36.6	35.5	34.8	31.6								
			H feet		127	125	124	123	122	118	116	105								
			Hp ass.		13	13.7	14	15.8	17.5	19	19.5	20.7								
		2000	H mt.		49	48	47.5	47	46.5	45	44	41								
H feet			163	160	158	157	155	150	147	137										
Hp ass.			20	20.5	21	23.7	26.3	28.5	29	31										
2200	H mt.		59	58.5	57.2	57	56.5	56	55	54.9	54.7	49								
	H feet		197	195	191	190	188	187	183	183	182	163								
	Hp ass.		26	27	28	31.5	33	34.9	37	37.9	38.8	42								
2400	H mt.				68.5	68	67	66	65.5	65	64.7	64	63							
	H feet				228	227	223	220	218	217	216	213	210							
	Hp ass.				34.5	35.5	38	41	43	45	48.5	50.5	52							
2600	H mt.				80	79	78	77	76	74	72	70	68							
	H feet				267	263	260	257	253	247	240	233	227							
	Hp ass.				46	48	50	53.5	56	61	63	66	69							
2900	H mt.					100	98.5	98	96	94	91	90	85							
	H feet					333	328	327	320	313	303	300	283							
	Hp ass.					63	66	68	76	79.5	83	86	94							



Pompe centrifughe monogiranti ad asse nudo
Single stage bare shaft centrifugal pumps
Pompes centrifuges arbre-nu monoturbine
Bombas centrifugas - un rodete - eje libre

Serie **CS-M**
Series

Tipo Type **CS-M15040ACS**

Bocche pompa Ports pump		Giri pompa/1'	Girante - Impeller: ø 415 mm																	
DNa	DNm		RPM	m3/h	132	150	180	210	240	270	300	330	360	390	420	450	480	500	575	
			G/min	587	668	801	935	1,068	1,202	1,335	1,469	1,602	1,736	1,869	2,003	2,136	2,225	2,559		
			I/1'	2200	2500	3000	3500	4000	4500	5000	5500	6000	6500	7000	7500	8000	8333	9583		
200 mm	150 mm	1450	H mt.	58.8	58.7	58.5	57.9	57	55.5	54	52	49.5	47	44	41	37.5				
			H feet	196	196	195	193	190	185	180	173	165	157	147	137	125				
			Hp ass.	50.9	54.2	59	64	68.6	72.5	76	79.6	82.6	85.6	83	90	91.2				
		1750	H mt.	85.5	85.5	85.5	85	85	84	82.5	80.5	79	76	74	70	68	65	55		
			H feet	285	285	285	283	283	280	275	268	263	253	247	233	227	217	183		
			Hp ass.	85	90	97	104	110	120	125	130	135	140	147	150	154	156	162		

Tipo Type **CS-M200ES**

Bocche pompa Ports pump		Giri pompa/1'																	
DNa	DNm		RPM	m3/h	180	210	240	270	300	330	360	390	420	480	540	600			
			G/min	801	935	1,068	1,202	1,335	1,469	1,602	1,736	1,869	2,136	2,403	2,670				
			I/1'	3000	3500	4000	4500	5000	5500	6000	6500	7000	8000	9000	10000				
200 mm	200 mm	1000	H mt.	11	10.9	10.8	10.5	10.2	9.4	9.1	8.5	7.8							
			H feet	37	36	36	35	34	31	30	28	26							
			Hp ass.	10.9	11.7	12.4	12.9	13.4	13.7	14	14.1	14.2							
		1450	H mt.			21.6	21.4	21.2	20.8	20.5	20	19.2	17.4	15					
			H feet			72	71	71	69	68	67	64	58	50					
			Hp ass.			31.3	32.6	34	35.8	36.8	37.9	39	40.7	41.7					
		1800	H mt.					32.7	32.5	32.4	31.9	31.7	30.5	28.4	25				
			H feet					109	108	108	106	106	102	95	83				
			Hp ass.					58.5	61.7	64	66.5	68.5	72	75	76				

Tipo Type **CS-M200FS**

Bocche pompa Ports pump		Giri pompa/1'																	
DNa	DNm		RPM	m3/h	180	210	240	270	300	330	360	390	420	480	540	600			
			G/min	801	935	1,068	1,202	1,335	1,469	1,602	1,736	1,869	2,136	2,403	2,670				
			I/1'	3000	3500	4000	4500	5000	5500	6000	6500	7000	8000	9000	10000				
200 mm	200 mm	1000	H mt.	9.7	9.5	9.3	9	8.7	8.2	7.8	7.1	6.5							
			H feet	32	32	31	30	29	27	26	24	22							
			Hp ass.	9.8	10.3	11	11.5	12	12.3	12.5	12.5	12.5							
		1450	H mt.			19.8	19.5	19.3	18.9	18.5	17.9	17.2	15.5	13.4					
			H feet			66	65	64	63	62	60	57	52	45					
			Hp ass.			28.3	29.7	31	32.1	33.5	34.4	35.3	36.7	37.2					
		1800	H mt.					30.5	30.3	30	29.6	29	27.5	25.2	21.4				
			H feet					102	101	100	99	97	92	84	71				
			Hp ass.					54	56	58	60	62	65	67	67				

Tipo Type **CS-M200GS**

Bocche pompa Ports pump		Giri pompa/1'																	
DNa	DNm		RPM	m3/h	180	210	240	270	300	330	360	390	420	480	540	600			
			G/min	801	935	1,068	1,202	1,335	1,469	1,602	1,736	1,869	2,136	2,403	2,670				
			I/1'	3000	3500	4000	4500	5000	5500	6000	6500	7000	8000	9000	10000				
200 mm	200 mm	1000	H mt.	9.1	8.9	8.7	8.4	8.1	7.6	7.1									
			H feet	30	30	29	28	27	25	24									
			Hp ass.	8.9	9.6	10	10.5	10.8	11	11.2									
		1450	H mt.			18	17.7	17.4	16.9	16.4	15.9	15.2	13.6	11.4					
			H feet			60	59	58	56	55	53	51	45	38					
			Hp ass.			26	27	28	29	30	30.8	31.5	32.6	33					
		1800	H mt.					27.5	27.1	26.8	26.2	25.7	24	21.7	18				
			H feet					92	90	89	87	86	80	72	60				
			Hp ass.					48	49.2	51.6	53	54.5	57.4	59	59				



Pompe centrifughe monogiranti ad asse nudo
 Single stage bare shaft centrifugal pumps
 Pompes centrifuges arbre-nu monoturbine
 Bombas centrifugas - un rodete - eje libre

Serie **CS-M**
 Series

Tipo Type CS-M200IS

Bocche pompa Ports pump		Giri pompa/1'	m3/h	240	270	300	330	360	390	420	480	540	600					
DNa	DNm		RPM	G/min	1,068	1,202	1,335	1,469	1,602	1,736	1,869	2,136	2,403	2,670				
			l/1'	4000	4500	5000	5500	6000	6500	7000	8000	9000	10000					
200 mm	200 mm	1000	H mt. H feet Hp ass.	6.7 22 7.6		6 20 8.1		5 17 8.2										
		1450	H mt. H feet Hp ass.	14 47 20	13.7 46 20.9	13.3 44 21.5	12.7 42 22.1	12.2 41 22.6	11.6 39 23.1	10.8 36 24	9.2 31 24.2	7.2 24						
		1800	H mt. H feet Hp ass.			20.7 69 37		19.8 66 40		18.6 62 42	16.8 56 43.7	14 47 44	9.8 33					

Tipo Type CS-M200460DS

Girante - Impeller: ø 460 mm

Bocche pompa Ports pump		Giri pompa/1'	m3/h	450	480	600	720	840	960								
DNa	DNm		RPM	G/min	2,003	2,136	2,670	3,204	3,738	4,272							
			l/1'	7500	8000	10000	12000	14000	16000								
300 mm	250 mm	1450	H mt. H feet Hp ass.	75 250	74 247	71 237	68 227	62 207	51 170								
				195 205		210 210		240 247		256							

Tipo Type CS-M25017S

Bocche pompa Ports pump		Giri pompa/1'	m3/h	300	330	360	420	480	540	600	660	720	840	900	1020		
DNa	DNm		RPM	G/min	1,335	1,469	1,602	1,869	2,136	2,403	2,670	2,937	3,204	3,738	4,005	4,539	
			l/1'	5000	5500	6000	7000	8000	9000	10000	11000	12000	14000	15000	17000		
250 mm	250 mm	1750	H mt. H feet Hp ass.				21.8 73 58.2	21.8 73 59	21.4 71 60.4	21.1 70 62.2	20.5 68 64	19.7 66 64.8	17.4 58 65.8	15.9 53 65	12.3 41 62		

Tipo Type CS-M200500DS

Bocche pompa Ports pump		Giri pompa/1'	m3/h	450	480	600	720	840	960	1080						
DNa	DNm		RPM	G/min	2,003	2,136	2,670	3,204	3,738	4,272	4,806					
			l/1'	7500	8000	10000	12000	14000	16000	18000						
300 mm	250 mm	1450	H mt. H feet Hp ass.	90 300	90 300	89 297	86 287	83 277	77 257	69 230						
				245 260		275 300		320 320		348 390						

Tipo Type CS-M300340DS

Bocche pompa Ports pump		Giri pompa/1'	m3/h	600	720	840	960	1080	1200	1320					
DNa	DNm		RPM	G/min	267	3,204	3,738	4,272	4,806	5,340	5,874				
			l/1'	1000	12000	14000	16000	18000	20000	22000					
300 mm	300 mm	1450	H mt. H feet Hp ass.	34 113	32 107	30 100	28 93	25 83	22 73	19 63					
				115 129		137 142		142 142		142 142					

Tipo Type CS-M300285DS

Bocche pompa Ports pump		Giri pompa/1'	m3/h	450	600	750	900	1050	1200	1350					
DNa	DNm		RPM	G/min	2,003	2,670	3,338	4,005	4,673	5,340	6,008				
			l/1'	7500	10000	12500	15000	17500	20000	22500					
300 mm	300 mm	1450	H mt. H feet Hp ass.	33 110	32 107	31 103	28 93	25 83	22 73	18 60					
				101 105		113 120		124 124		125 125					



Pompe centrifughe monogiranti ad asse nudo
 Single stage bare shaft centrifugal pumps
 Pompes centrifuges arbre-nu monoturbine
 Bombas centrifugas - un rodete - eje libre

Serie **CS-M**
 Series

Tipo Type		CS-M300315DS																			
Bocche pompa Ports pump	Giri pompa/1'	m3/h	450	600	750	900	1050	1200	1350	1500											
		G/min	2,003	2,670	3,338	4,005	4,673	5,340	6,008	6,676											
DNa	DNm	RPM	1/1'	7500	10000	12500	15000	17500	20000	22500	25000										
300 mm	300 mm	1450	H mt.	35	34	32	31	27	25	22	17										
			H feet	117	113	107	103	90	83	73	57										
			Hp ass.	113	120	125	129	136	138	143	143										

Tipo Type		CS-M300345DS																				
Bocche pompa Ports pump	Giri pompa/1'	m3/h	450	600	750	900	1050	1200	1350	1500												
		G/min	2,003	2,670	3,338	4,005	4,673	5,340	6,008	6,676												
DNa	DNm	RPM	1/1'	7500	10000	12500	15000	17500	20000	22500	25000											
300 mm	300 mm	1450	H mt.	37	34	35	34	31	27	24	18											
			H feet	123	113	117	113	103	90	80	60											
			Hp ass.	120	126	137	147	150	154	155	163											

Tipo Type		CS-M12531BCS																						
		Girante - Impeller: ø 310 mm																						
Bocche pompa Ports pump	Giri pompa/1'	m3/h	84	96	108	120	132	150	180	192	210	240	270	300	330	400								
		G/min	374	427	481	534	587	668	801	854	935	1,068	1,202	1,335	1,469	1,780								
DNa	DNm	RPM	1/1'	1400	1600	1800	2000	2200	2500	3000	3200	3500	4000	4500	5000	5500	6666							
150 mm	125 mm	1450	H mt.	31.8	31.7	31.6	31.5	31.1	30.6	29.1	28.5	27.3	24.9	22	18.5	14.3								
			H feet	106	106	105	105	104	102	97	95	91	83	73	62	48								
			Hp ass.	17.3	18.5	19.6	20.8	21.6	22.8	25	25.8	26.7	28	29	29	30								
		1750	H mt.	46.5	46	46.2	46	45.8	45	44.5	43	42	41.5	39.5	36	32	21							
			H feet	155	153	154	153	153	150	148	143	140	138	132	120	107	70							
			Hp ass.	28.5	30.3	32.5	34.4	36.5	38	40	42	44	45.5	46.9	49	51	52.7							
		2000	H mt.	61	60.7	60.5	60.4	60	59.5	58.7	58.5	58	54.8	54	51.5	47	39.5							
			H feet	203	202	202	201	200	198	196	195	193	183	180	172	157	132							
			Hp ass.	39.5	42.5	45	48.5	51	54.5	58	58.5	59.6	65.5	67.8	70	73	77							
		2250	H mt.	77.5	77	76.5	76	76	75.5	75	74.5	74	73	69	68	65	57							
			H feet	258	257	255	253	253	252	250	248	247	243	230	227	217	190							
			Hp ass.	56	60	64	69	72	77	82	83	84	93	96	99	103	104							
2500	H mt.	95.5	95	94	93.5	93	92	91.5	91	90	85	84	80	70										
	H feet	318	317	313	312	312	310	307	305	303	300	283	280	267	233									
	Hp ass.	74	77	82	87	94	98	105	112	113.5	115	127	132	136	141									

Tipo Type		CS-M12531CCS																						
		Girante - Impeller: ø 295 mm																						
Bocche pompa Ports pump	Giri pompa/1'	m3/h	84	96	108	120	132	150	180	192	210	240	270	300	330	400								
		G/min	374	427	481	534	587	668	801	854	935	1,068	1,202	1,335	1,469	1,780								
DNa	DNm	RPM	1/1'	1400	1600	1800	2000	2200	2500	3000	3200	3500	4000	4500	5000	5500	6666							
150 mm	125 mm	1450	H mt.	27.9	27.8	27.7	27.6	27.2	26.5	24.9	24	22.8	20	17	13.5	9.5								
			H feet	93	93	92	92	91	88	83	80	76	67	57	45	32								
			Hp ass.	15.6	16.5	17.4	18.2	19	19.9	21.5	22	22.7	23.5	24	24.4	24.5								
		1750	H mt.	41	40.5	40.4	40.3	40	39.5	38.5	37.2	36.3	34.5	30.5	29	16.7	14							
			H feet	137	135	135	134	133	132	128	124	121	115	102	97	56	47							
			Hp ass.	26	27.4	28.9	30.5	32	33	35	36	37.5	39	40.4	41.3	42	43							
		2000	H mt.	54	53.5	53	52.7	52.5	52	51.5	51	50.3	47.4	45	39.8	37.8	21.5							
			H feet	180	178	177	176	175	173	172	170	168	158	150	133	126	72							
			Hp ass.	36	38.7	40.8	43	45.5	47.7	49	50.7	53.7	55.9	58	60	61.5	63							
		2250	H mt.	68.5	68	67.5	67	66.5	66	65.5	65	64.5	63.5	60	57	50	37							
			H feet	228	227	225	223	222	220	218	217	215	212	200	190	167	123							
			Hp ass.	48.5	51	55	58	61	64.7	68	69.5	72	76	79.5	82	85	88							
2500	H mt.	84.5	84	83.8	83	82.5	82	81	80.5	80	79.5	78	74	70	55									
	H feet	282	280	279	277	275	273	270	268	267	265	260	247	233	183									
	Hp ass.	64	66.4	70	68	79.5	83.5	88.5	92	95	98	104	108	112	118									



Pompe centrifughe monogiranti ad asse nudo
 Single stage bare shaft centrifugal pumps
 Pompes centrifuges arbre-nu monoturbine
 Bombas centrifugas - un rodete - eje libre

Serie **CS-M**
 Series

Tipo Type **CS-M125400ACS**

Bocche pompa Ports pump		Giri pompa/1'	Girante - Impeller: ø 400 mm																
DNa	DNm		m3/h	50	100	150	200	250	300	325	350	400							
			G/min	222	445	668	890	1,113	1,335	1,446	1,558	1,780							
		RPM	l/1'	833	1666	2500	3333	4167	5000	5416	5833	6666							
150 mm	125 mm	1450	H mt.	59.5	59.5	58	56	52.5	46	43.5									
			H feet	198	198	193	187	175	153	145									
			Hp ass.	30	41	50	57	64	70	75									
		1750	H mt.	86	86	85.5	84.5	82	77	74	70	62							
			H feet	287	287	285	282	273	257	247	233	207							
			Hp ass.	50	66	79	91	102	112	115	122	130							


Tipo Type **CS-M12540ACS**


Bocche pompa Ports pump		Giri pompa/1'	Girante - Impeller: ø 405 mm																	
DNa	DNm		m3/h	84	96	108	120	132	150	180	192	210	240	270	300	330	400			
			G/min	374	427	481	534	587	668	801	854	935	1,068	1,202	1,335	1,469	1,780			
		RPM	l/1'	1400	1600	1800	2000	2200	2500	3000	3200	3500	4000	4500	5000	5500	6666			
150 mm	125 mm	1450	H mt.	59.2	59	59	58.9	58.7	58.2	57.2	56.7	55.7	53.5	50.5	46.5	42.5				
			H feet	197	197	197	196	196	194	191	189	186	178	168	155	142				
			Hp ass.	37	39.2	41.2	43.2	45.2	48.2	53	54.9	57.6	61.6	65.6	69.4	72.5				
		1750	H mt.	86.5	86.5	86	85.8	85.7	85.5	85	84.5	84	81.5	79.5	76.5	72.5	61			
			H feet	288	288	287	286	286	285	283	282	280	272	265	255	242	203			
			Hp ass.	65	66	67	72	73.5	75.9	84.5	87.5	93	99	103.5	108	115	129			
		2000	H mt.	113.5	113	113	112	112	111.5	111	110.5	110	109	106	103	99	87.5			
			H feet	378	377	377	373	373	372	370	368	367	363	353	343	330	292			
			Hp ass.	94	97	98	99.5	107	109	113	119	126	138	147	153	161	175			



SPICO Co. Solo Agent of Cadoppi in IRAN

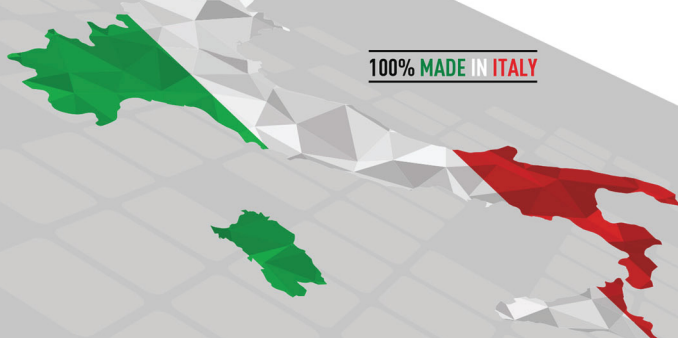
.....
 Central office ; spico building , NO : 403 , South Saadi Ave, Tehran - IRAN

 +98 (21) 33943519 - 21

 +98 (21) 33116222

 info@spicoir.com

 www.spico.ir



www.spico.ir
[Email:info@spicoir.com](mailto:info@spicoir.com)