

# FEKA 8000

## SUBMERSIBLE PUMPS



### TECHNICAL DATA

**Type of compeller:** Three-channel, closed.

**Free passage:** 80 mm.

**Nominal power:** 8 to 19 kW.

**Delivery:** DN 200.

**Operating range:**

from 24 to 780 m<sup>3</sup>/h with head up to 17 metres.

**Pumped liquid:** loaded water, generally for use in civil or industrial sewage systems with grids, compatibly with the construction materials.

**PH of the liquid:** 6 to 11.

**Liquid temperature range:** from 0° to +40 °C.

**Maximum installation depth:** 20 metres.

(with cable of appropriate length).

**Installation:** fixed using a coupling device, or free in the vertical position. Continuous duty with completely submerged pump.

**Supplied with:** UNI 1092 PN 16 flange and base for free installation.

### APPLICATIONS

Submersible electric pump for civil and industrial drain water compatible with the pump materials. Suitable for lifting or decanting loaded cesspool water, sewage water in systems with grids from cesspools, meteoric water, or dirty water in general, containing solid non-filamentous matter with diameter up to 80 mm.

### CONSTRUCTION FEATURES OF THE PUMP

Three-channel impeller with rotating and fixed wear ring on the diffuser.

Flanged delivery port, EN 1092-1, DN 200 PN 16.

Double SiC/SiC mechanical seal in oil chamber on the motor side, Carbon/Steel mechanical seal on the pump side.

### CONSTRUCTION FEATURES OF THE MOTOR

Dry, asynchronous and waterproof motor, cooled by the surrounding liquid. Continuous S1 duty with completely submerged pump. Rotor mounted on permanently lubricated ball bearings, oversized to ensure long-term reliability and extended lifetime. Water infiltration sensor in oil chamber, capable of indicating water infiltrations through the mechanical seal (standard). Overtemperature sensors in the motor windings, with 150 °C tripping threshold.

Standard voltage: 3x400V~. For other models contact our commercial department.

Start-up type: star-triangle (Y/Δ)

Number of poles: 6

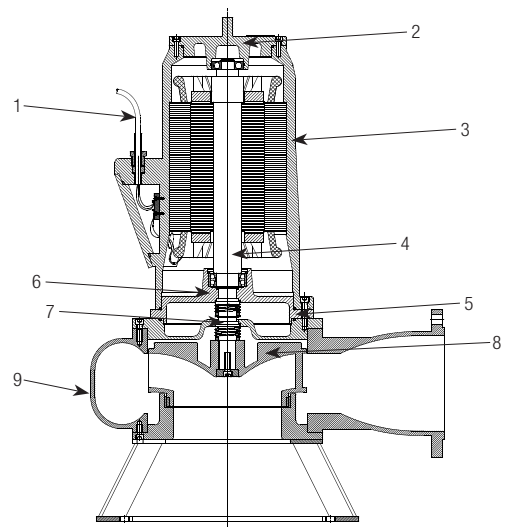
Motor protection class: IP 68

Insulation class: F

Max starts/hour: 20

### MATERIALS

N.	PARTS	MATERIALS
1	POWER INPUT CABLE	H07RN-F
2	UPPER COVER	EN G.JL 200 CAST IRON
3	MOTOR BODY	EN G.JL 200 CAST IRON
4	MOTOR SHAFT	AISI 420
5	OR	NBR
6	BEARING FLANGE	EN G.JL 200 CAST IRON
7	MECHANICAL SEAL	MOTOR: SiC - SiC PUMP: CARBON - STEEL
8	IMPELLER	EN G.JL 200 CAST IRON
9	HYDRAULIC BODY	EN G.JL 200 CAST IRON



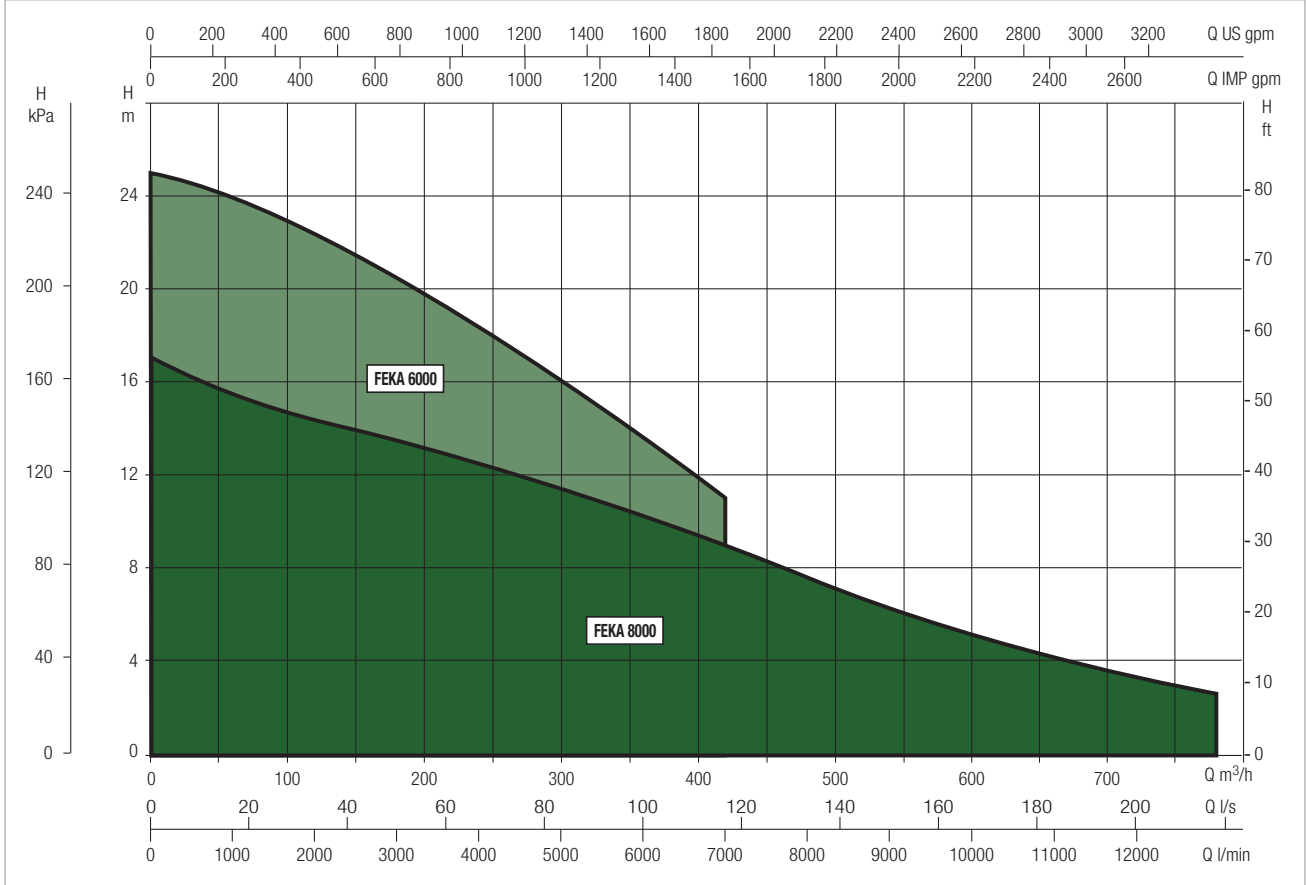
# FEKA RANGE

## SUBMERSIBLE PUMPS

### PERFORMANCE RANGE

The performance curves are based on kinematic viscosity values = 1 mm<sup>2</sup>/s and density equal to 1000 kg/m<sup>3</sup>. Curve tolerance according to ISO 9906.

### GRAPHIC SELECTION TABLE

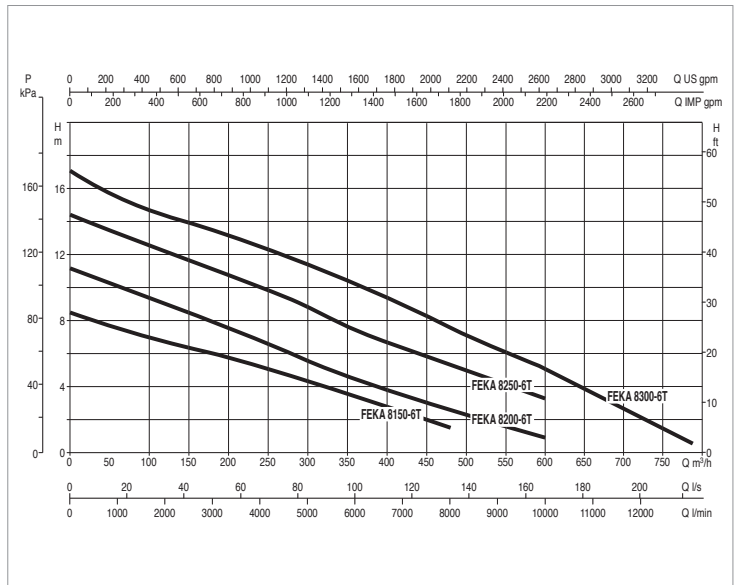
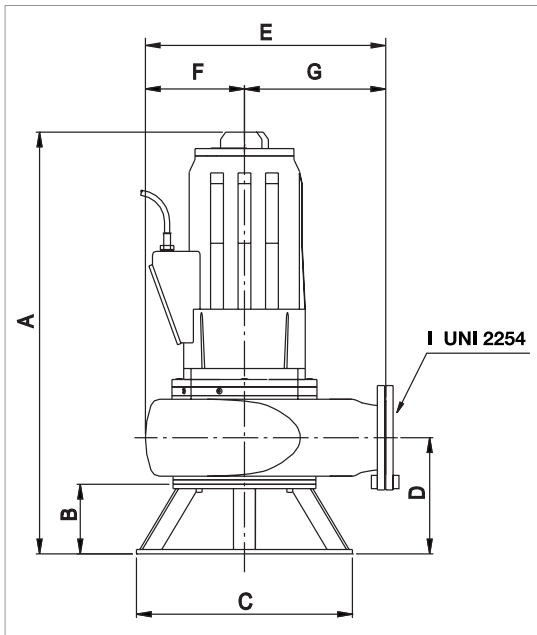


### SELECTION TABLE - FEKA 8000

MODEL	Q= m <sup>3</sup> /h																			
	0	24	36	48	60	72	90	108	126	150	180	210	240	270	300	360	420	480	600	780
	Q= l/min																			
	0	400	600	800	1000	1200	1500	1800	2100	2500	3000	3500	4000	4500	5000	6000	7000	8000	10000	13000
FEKA 8150. 6T	8.53	8.05	7.83	7.6	7.45	7.3	7.15	6.9	6.7	6.45	6	5.6	5.24	4.6	4.2	3.34	2.34	1.56		
FEKA 8200. 6T	11.2	18	10.5	10.3	9.97	9.7	9.5	9.2	8.8	8.46	8	7.4	6.95	6.3	5.6	4.4	3.6	2.67	1.07	
FEKA 8250. 6T	14.4	14	13.7	13.5	13.2	13	12.6	12.34	12	11.52	11.1	10.6	10	9.4	8.7	7.3	6.5	5.5	3.3	
FEKA 8300. 6T	17	16.6	16.2	16	15.6	15	14.7	14.5	14.2	13.8	13.5	13	12.4	12	11.4	10	9	7.6	5	1.8

# FEKA 8000 - SUBMERSIBLE PUMPS FOR LIFTING WASTE WATER

Liquid temperature range: from 0 °C to +40 °C



The performance curves are based on kinematic viscosity values = 1 mm<sup>2</sup>/s and density equal to 1000 kg/m<sup>3</sup>. Curve tolerance according to ISO 9906.

MODEL	ELECTRICAL DATA				
	POWER INPUT 50 Hz	P1 MAX kW	P2 NOMINAL		In A
			kW	HP	
FEKA 8150. 6T	3X400 V~	10,7	8.5	11.3	22
FEKA 8200. 6T	3X400 V~	13.4	11.4	15.2	27
FEKA 8250. 6T	3X400 V~	17	13.5	18	36
FEKA 8300. 6T	3X400 V~	22	19.3	25.7	46

MODEL	A	B	C	D	E	F	G	H	I	PACKING DIMENSIONS			WEIGHT kg
										L/A	L/B	H	
FEKA 8150. 6T	1200	190	640	317	771	271	500	200	DN200	1200	740	1500	450
FEKA 8200. 6T	1200	190	640	317	771	271	500	200	DN200	1200	740	1500	460
FEKA 8250. 6T	1200	190	640	317	771	271	500	200	DN200	1200	740	1500	465
FEKA 8300. 6T	1200	190	640	317	771	271	500	200	DN200	1200	740	1500	480