



**ACTIVE DRIVER**  
**PAGE 166**



### TECHNICAL DATA

**Operating range:** from 0,4 to 14,4 m<sup>3</sup>/h.

**Pumped liquid:** clean, free of solids and abrasives, non viscous, non aggressive, non crystallised and chemically neutral, with properties similar to water.

**Pumped liquid temperature range:** from 0 °C to +35 °C for domestic use.

**Maximum ambient temperature:** +40 °C.

**Maximum operating pressure:** PN10.

**Special executions on request:** contact our sales network.

**Protection class:** IP44.

### APPLICATIONS

Pressure booster sets particularly suited for domestic use, and small civil, agricultural, or industrial systems, where the function required is the self-priming of the pump (suction capability also if air bubbles are present).

Their main features are reliability, simple operation, and minimum maintenance requirements.

### CONSTRUCTION FEATURES - COMPONENTS

#### HYDRAULIC SECTION

2 JET centrifugal self-priming pumps.

Galvanized sheet steel base complete with 4 rubber anti-vibration feet.

Suction and delivery manifolds in galvanized steel.

Ball valves with unions on the suction and delivery ports of each pump.

Check valves on the suction port of each pump.

2 Tropicalized galvanized cast iron plugs for closing the manifolds.

Radial manometer with isolator valve.

1 8 litre membrane pressure tank (it optimises the number of pump starts).

#### ELECTRICAL SECTION

1 Active Driver module on the delivery line of each pump (see Active Driver information at the beginning of this section).

1 protection control unit.

### MULTI INVERTER SYSTEM WITH ACTIVE DRIVER

The inverter provides constant control of the rotation speed of the electric pump, ensuring constant pressure despite flow rate variations.

The other electric pumps, also with variable speed, are activated in cascade after the first one has reached maximum speed. Through modulation, they compensate the pressure fluctuations of the system.

For every operating cycle, it is possible to switch the restart to a different pump, therefore ensuring even use of all electric pumps.

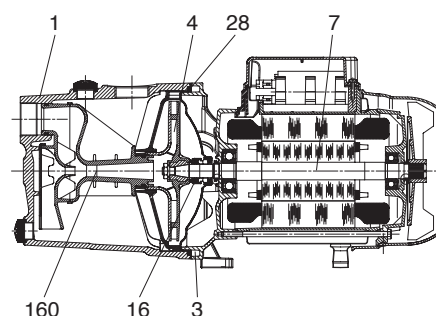
It is possible to set operation times for each individual pump, switching to another pump after such set times.

The "SP" pressure can be adjusted by the user using two "+" and "-" keys on the A.D. (as a rule, all the pumps are set to the same pressure value).

## MATERIALS

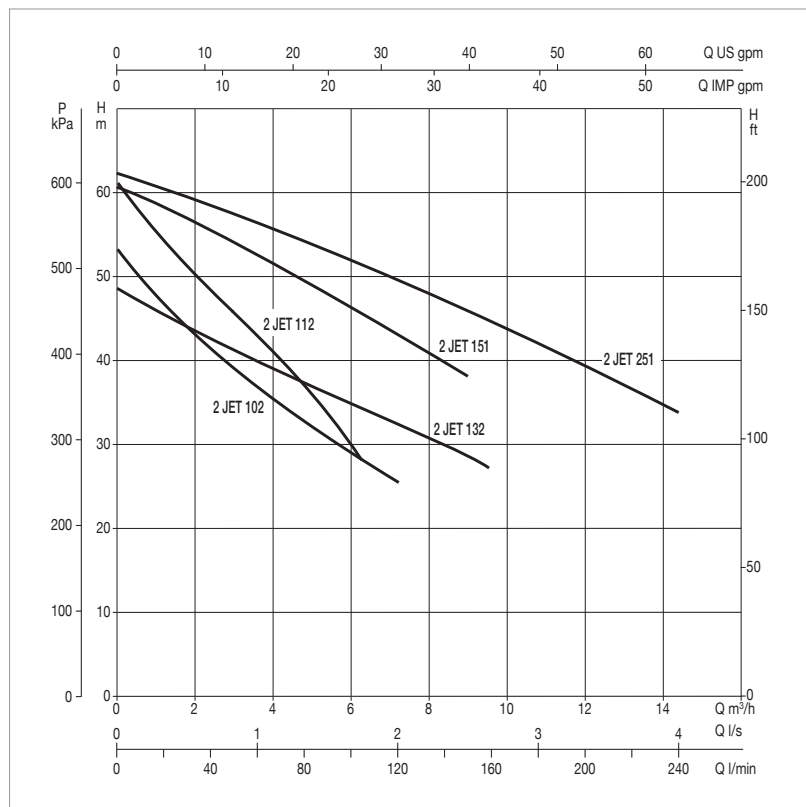
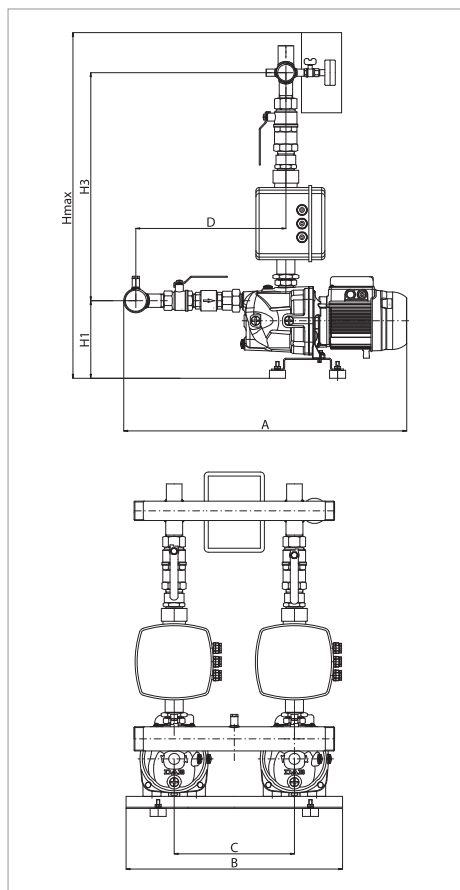
N.	PARTS*	MATERIALS
1	PUMP BODY	CAST IRON 200 UNI ISO 185
3	SUPPORT	DIE-CAST ALUMINIUM
4	IMPELLER	TECHNOPOLYMER A
7	SHAFT WITH ROTOR	AISI 416 X12 2 UNI 6900/71 STAINLESS STEEL
16	MECHANICAL SEAL	CARBON / CERAMIC
28	OR RING	NBR RUBBER
160	VENTURI DIFFUSER NOZZLE ASSEMBLY	TECHNOPOLYMER A

\* In contact with the liquid



## 2 JET AD - DOMESTIC PRESSURE BOOSTER SETS

Pumped liquid temperature range: from 0 °C to +35 °C - Maximum ambient temperature: +40 °C - Max flow rate: 14.4 m<sup>3</sup>/h



The performance curves are based on kinematic viscosity values = 1 mm<sup>2</sup>/s and density equal to 1000 kg/m<sup>3</sup>. Curve tolerance according to ISO 9906. **Overall performance taking into account TWO pumps working at the same time.** The performance results of sets with smaller pumps (e.g. 2JET 92) are obtained through simple calibration of the AD module.

MODEL	POWER INPUT 50 Hz	P2 NOMINAL		ACTIVE DRIVER MODEL	In (set) A	FLOW m <sup>3</sup> /h	MAX PRESSURE BAR	STANDARD PRESSURE BAR
		kW	HP					
2 JET AD 102	1x220-240 V~	2x0,75	2x1	MT 1,0	2x5,7	6.6-3.0	5	4
2 JET AD 112	1x220-240 V~	2x1	2x1,36	MT 1,0	2x7,4	6.6-3.0	5,8	4,5
2 JET AD 132	1x220-240 V~	2x1	2x1,36	MT 1,0	2x8,1	9.6-3.0	4,6	3,5
2 JET AD 151	1x220-240 V~	2x1,1	2x1,5	MT 2,2	2x9	9.4-5.0	6	5
2 JET AD 251	3x400 V~ (3+N) *	2x1,85	2x2,5	MT 2,2	2x12	14.4-7.2	6	5

\* Single phase power input also available on request (1x220-240 V~).

MODEL	A	B	C	D	H max	H1	H3	DNA	DNM	PACKING DIMENSIONS			VOLUME m <sup>3</sup>	WEIGHT kg
										L/A	L/B	H		
2 JET AD 102	706	540	300	374	862	193	569	2"	1" 1/2	850	610	1000	0,52	56
2 JET AD 112	706	540	300	374	862	193	569	2"	1" 1/2	850	610	1000	0,52	56
2 JET AD 132	706	540	300	374	862	193	569	2"	1" 1/2	850	610	1000	0,52	56
2 JET AD 151	706	540	300	374	862	193	569	2"	1" 1/2	850	610	1000	0,52	96
2 JET AD 251	706	540	300	374	862	193	569	2"	1" 1/2	850	610	1000	0,52	105

The sets are supplied in a sturdy cardboard packaging on wooden pallet and installation / maintenance manual.